

NPSPAC Region 43 - Washington

800 MHz Regional Planning Committee

October 25, 2006 - 1100 to 1200

Sparling / Lynnwood, WA

www.region43.org

Conference Call Number: (253) 512-7191

Conference ID: 143290

Please get signed up on the attendee roster

Agenda Items

- Introductions

- New Voting Member: Capt. Bob Digmon, Tacoma Fire Department

- Rebanding Subcommittee

- Applications

- Washington Department of Corrections Mission Creek Corrections Center

- Review / Approval of September Minutes

- Next Meeting

- Good of the Order

Rebanding Subcommittee

- 10/5 ACICIP meeting
 - ➔ 9/29 letter to Region 43 from State Dept says "*Actively working with FCC to hold negotiations with Industry Canada...discussions with IC are expected...hopefully within the next month...(that will) lead to development of an arrangement that best satisfies all needs.*"
 - ➔ Holds Quarterly meetings
- Band Plan discussion with Sprint-Nextel representatives
- Discussion with Transition Administrator / Sprint Nextel Public Safety Advisory Board
- FCC Comments?
- August 14 Letter; follow-up
- "Chevron Ruling"
- ICAL / ITAC Naming Conventions
- Next Steps

Washington DOC

Mission Creek

- Applying to renew 3 Frequencies currently in use at Mission Creek Corrections Center
 - 866.5625, 867.0625, 969.1375
- Co-Channel
 - No Empirical Evidence of Co-channel Interference with Existing WSDOT Locations in Pierce & Snohomish Counties
- Adjacent Channel
 - Potential Adjacent-Channel Problem in Lakewood Area with Tacoma Mobile Channels, but Has Not Been an Issue to Date
- Recommend Approval with condition that if co- or adjacent channel interference becomes an issue the affected parties have the affirmative obligation to work cooperatively for resolution within a reasonable period.

Washington Department of Corrections Mission Creek



Secondary to Canada	Frequency	Agency	County	Location / Notes
Upper Adjacent		Portland	Multnomah	Portland Fireground
		SERS, Tacoma	Snohomish, Pierce	Mobile License
Co-Channel		WSDOC	Clallam, Clark, Franklin, Grays Harbor, Mason	Clallam Bay, Larch, Coyote Ridge, Stafford Creek, Shelton
		WSDOT	Adams, King	Ritzville, Schrage, 1st Avenue Bridge, Longacres, Newport Hills, Norway Hill, Roosevelt Way, SR520 Bridge
Yes	866.5625	WSDOC	Mason	Mission Creek
Co-Channel		WSDOC	Pierce, Snohomish, Spokane, Thurston, Walla Walla, Yakima	McNeil Island, Purdy, Willows, Monroe, Airway Hts, Pine Lodge, Cedar Creek, Walla Walla, Ahtanum View
Lower Adjacent		Portland	Multnomah	Portland Fireground
		SERS, Tacoma	Snohomish, Pierce	Mobile License
Upper Adjacent		SERS, Tacoma	Snohomish, Pierce	Mobile License
Co-Channel		WSDOT	Adams, King	Ritzville, Schrage, 1st Avenue Bridge, Longacres, Newport Hills, Norway Hill, Roosevelt Way, SR520 Bridge
		WSDOC	Clallam, Clark, Franklin, Grays Harbor, Mason	Clallam Bay, Larch, Coyote Ridge, Stafford Creek, Shelton
Yes	867.0625	WSDOC	Mason	Mission Creek
Co-Channel		WSDOT	Okanogan, Pierce, Whitman	Wauconda Pass, Willows, Dusty
		WSDOC	Pierce, Snohomish, Spokane, Thurston, Walla Walla, Yakima	McNeil Island, Purdy, Monroe, Airway Hts, Pine Lodge, Capital Peak, Walla Walla, Ahtanum View
Lower Adjacent		SERS, Tacoma	Snohomish, Pierce	Mobile License
Upper Adjacent		SERS	SERS	Mobile License
Co-Channel		WSDOC	Clallam	Clallam Bay, Larch, Coyote Ridge, Nelton Point, Stafford Creek, Shelton, South Mountain
		WSDOT	Adams, King	Ritzville, Schrage, 1st Avenue Bridge, Longacres, Newport Hills, Norway Hill, Roosevelt Way, SR520 Bridge
No	868.1375	WSDOC	Mason	Mission Creek
Co-Channel		WSDOC	Pierce, Snohomish, Spokane, Thurston, Walla Walla, Yakima	McNeil Island, Purdy, Monroe, Airway Hts, Pine Lodge, Cedar Creek, Walla Walla, Ahtanum View
		WSDOT	Okanogan, Pierce	Wauconda Pass, Willows
Lower Adjacent		SERS, Tacoma	Pierce, Snohomish	Mobile License

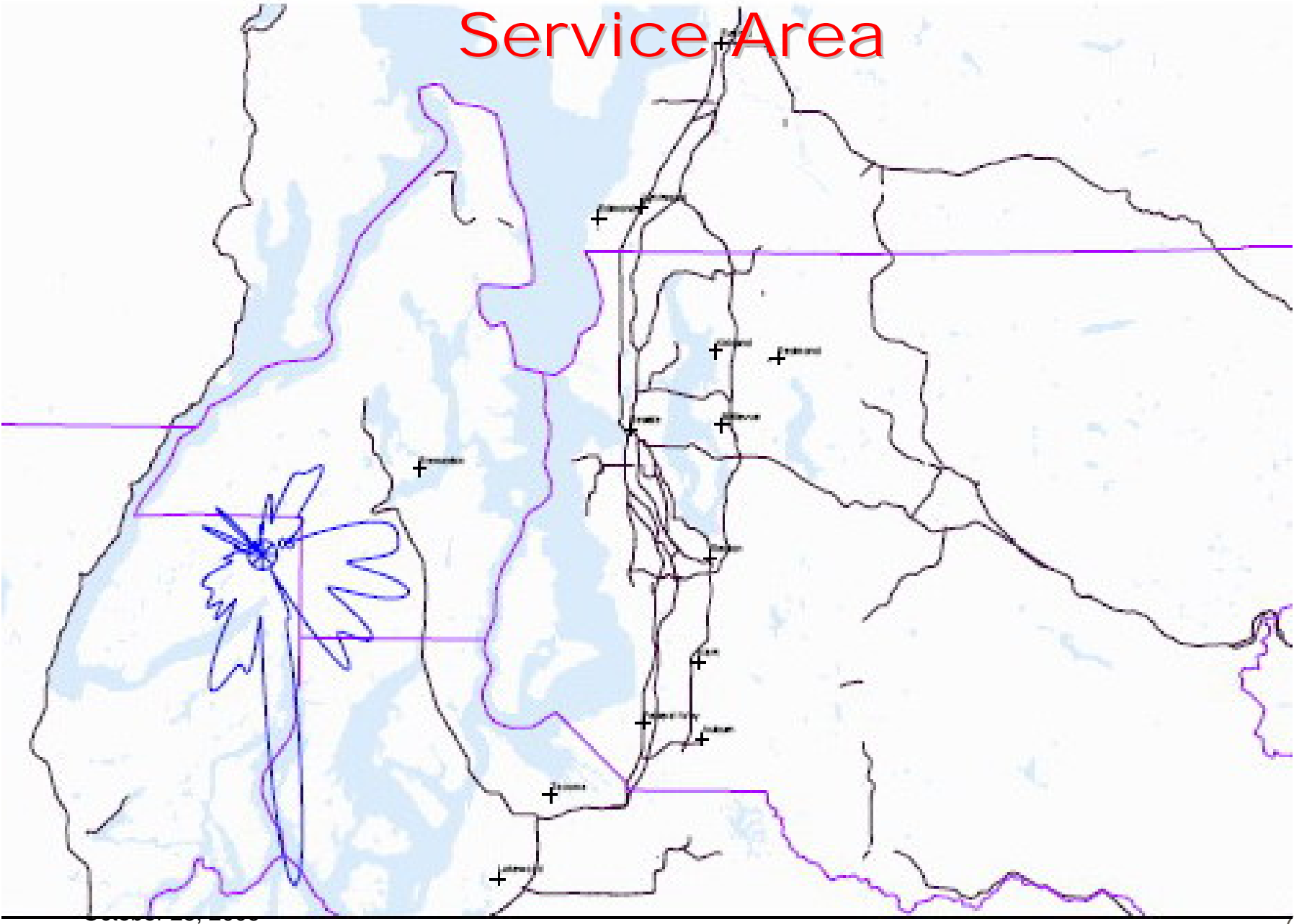
DOC Application

DOC Application

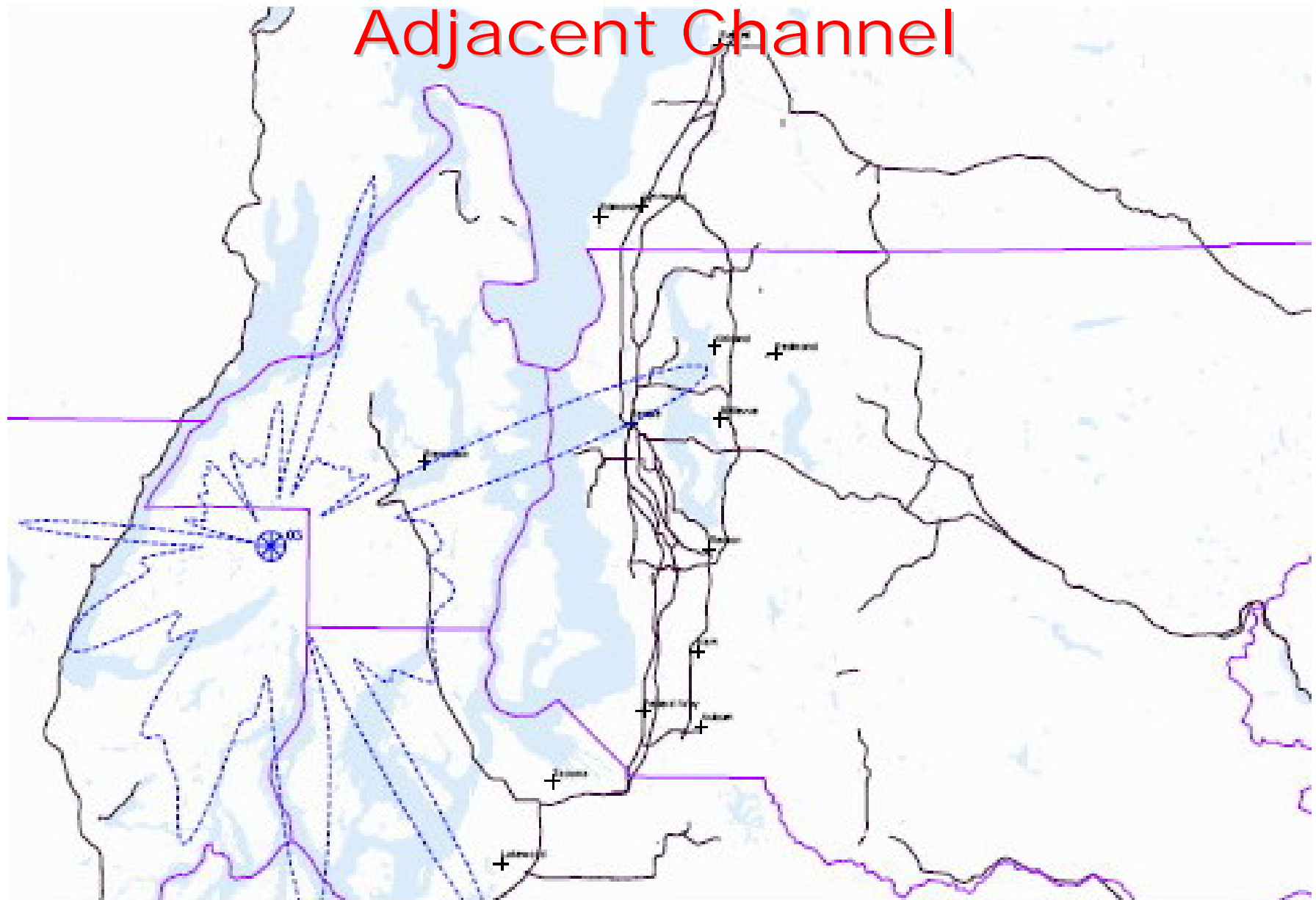
DOC Application

October 25, 2006

Service Area

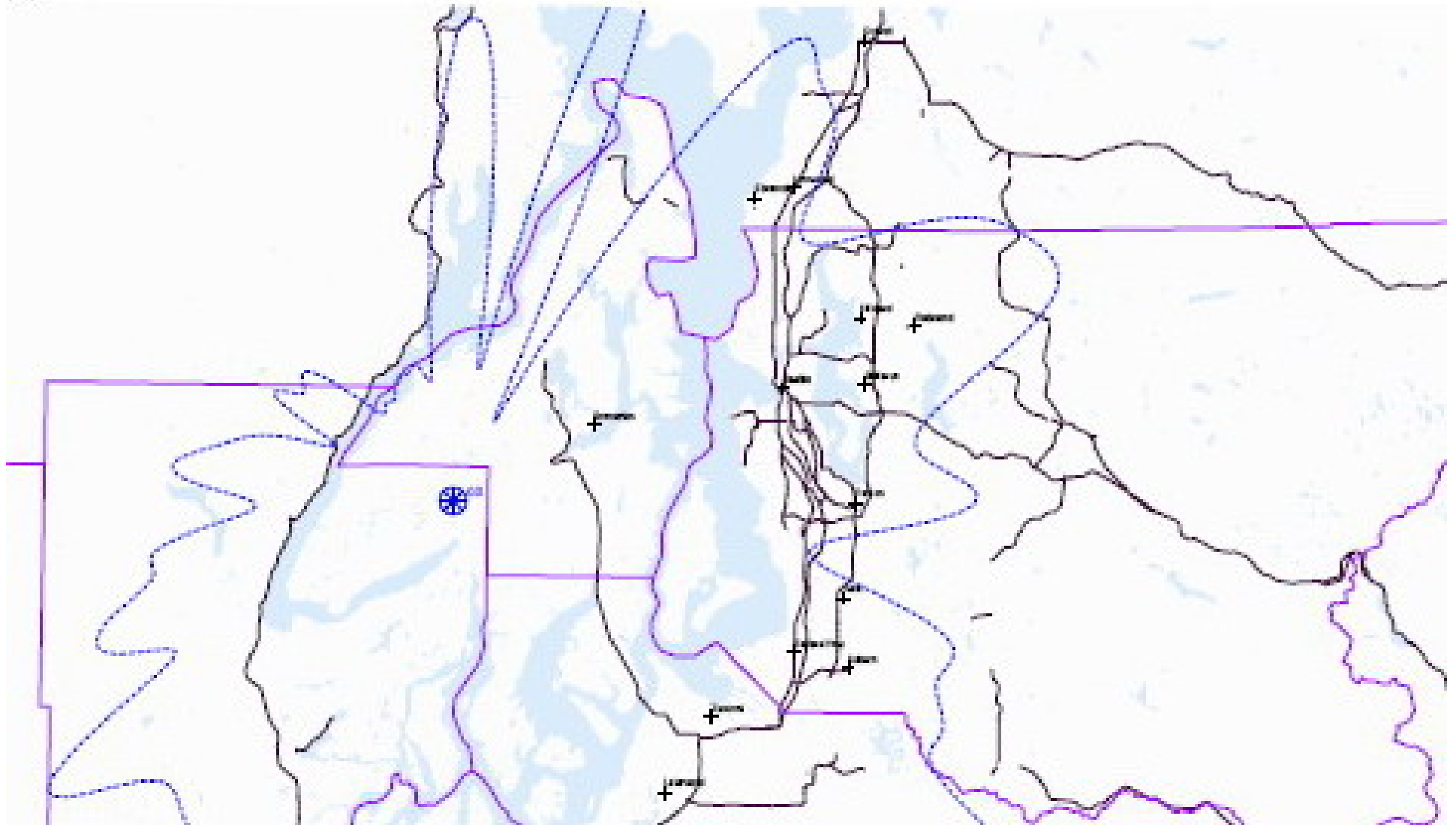


Adjacent Channel



October 25, 2006

Co-Channel

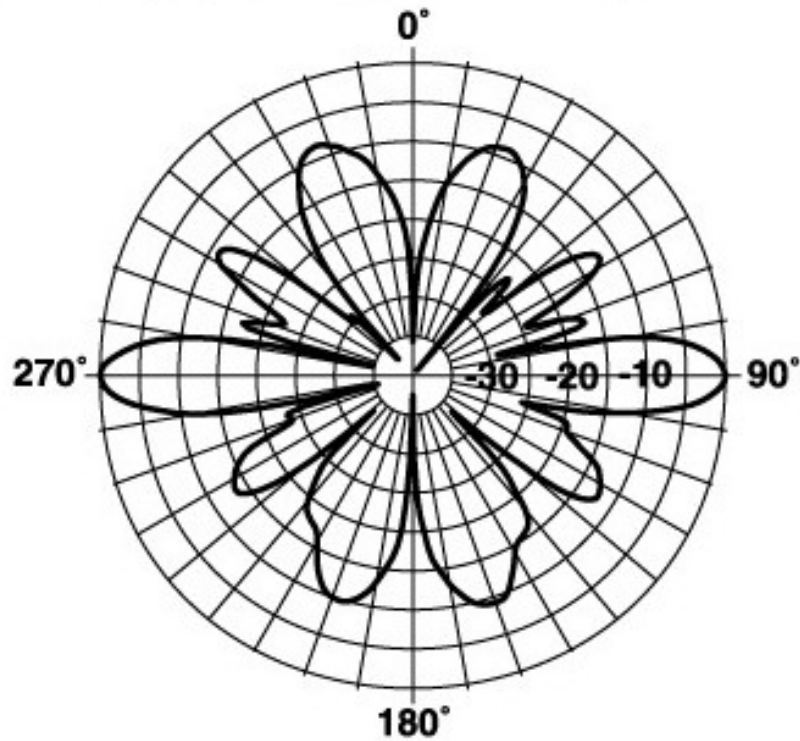


October 25, 2006

Antenna

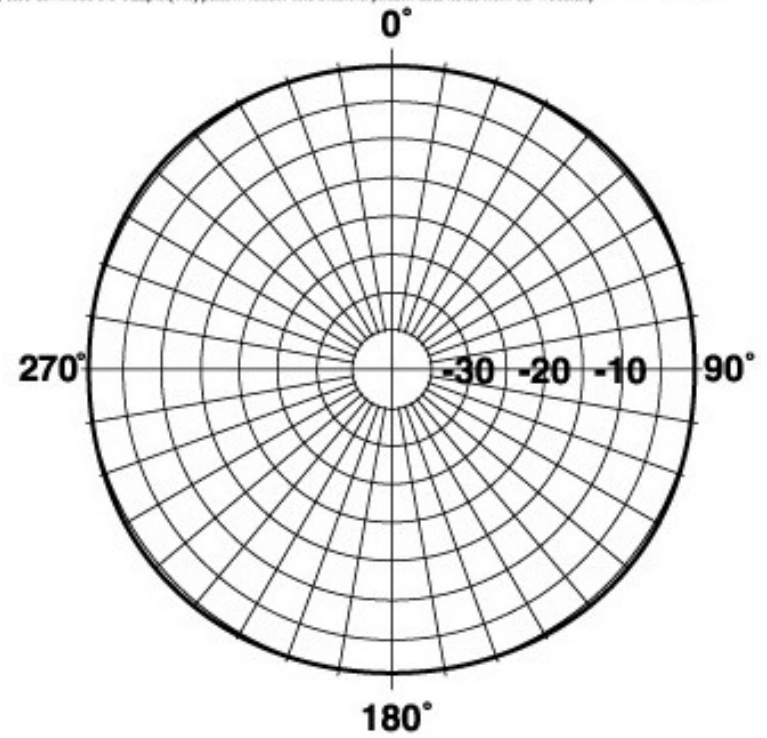
Vertical Pattern

(This is a general representation of the antenna family pattern. For the latest detailed pattern contact Applications Engineering. You may also download the CELplot(TM) pattern reader and antenna pattern data fields from our website.)



Horizontal Pattern

(This is a general representation of the antenna family pattern. For the latest detailed pattern contact Applications Engineering. You may also download the CELplot(TM) pattern reader and antenna pattern data fields from our website.)



Good of the Order

Next Meeting

November 29, 2006

Location?

Agenda and meeting material will be posted to the web site (www.region43.org) and sent to the email listserver in advance of the meeting